



ORCA

D239

Design by Hans Thyge & Co

officio[®]
Giving you more for less

The design concept



Hans Thyge & Co

Hans Thyge & Co design studio was founded in 1990 by Hans Thyge Raunkjær. The studio specialises in designing furniture, objects, interiors and branding.

The studio has a long history of know-how and experience working with a variety of materials and production methods for clients worldwide.

Hans Thyge & Co consists of passionate designers with bold ideas and a love for beautiful design. The studio believes that every design should tell a story of creativity, tradition, vision, culture and values.

Throughout the years, the studio has received several awards in the international design scene.

"Creativity is the variety of impressions, which are combined with memories and associations, and filtered through the individual view,"

Hans Thyge Raunkjær (1957).*



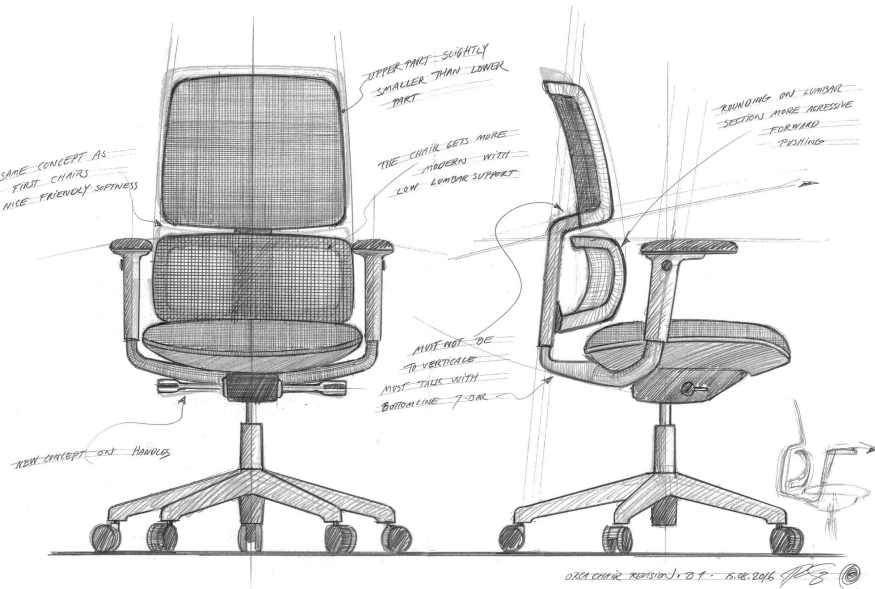
The designer is good at extracting inspiration from natural elements, allowing simple design to be embodied in elegant lines that interprets Scandinavian “rich simplicity”.







The ergonomic concept



The upper back and lower back require different types of support

The normal human body has three physiological curvatures. Due to physiological requirements, they do not grow in one straight line. The thoracic vertebrae is convex, and the cervical and lumbar vertebrae are convex forward. From side view, the spine looks like two "S" are connected together.

Pure Scandinavian Style

The ORCA chair is designed in pure Scandinavian style where combines the aesthetics and functionality .The backrest comes in 2 parts so that the lumbar support could be height adjusted according to different body height to provide the customized support and comfort .The innovative system offers the firm support to users lower back that helps the users sitting in the correct position during working time to reduce the fatigue from sitting stationary throughout the day. When you get tired of sitting, it also provides you extreme comfort in relaxed leaning back position.

The squared lines of J-bar and five star base combine the expression of soft and warm in all curves make ORCA chair distinctive and natural characteristic that contribute the sculptural quality to the office environment.



型号号：AL 2019 3 000070.1





2 CHAIRS IN 1

The innovative Orca chair has 2 functions in 1. The chair adapts perfect for and active working task position but also for a comfortable relaxing position.

The low lumbar support is positioned in your personal height. You push the low lumbar to assure the right S-curve on your spine.

The body is leaning on both the lower and upper backrest as both backrest pieces moves independent from each other. This creates a great comfort in relaxing position.



Features and details



Backrest Adjustment

The height of backrest could be adjusted freely by simply pulling it up with 2 hands and it will be returned to the lowest height automatically when it's pulled to the top. With the stroke distance of 80mm, it could be adjusted for the users with different heights.



31 experiments of lumbar support engineering, 12 times of prototype making, repeated structural tests, only for the extraordinary sitting experience

The backrest of ORCA fits closely with the physiological curvature of user's spine which provides fully support while accommodating different body sizes to achieve the healthy sitting posture. Our engineer tested the structures repeatedly and made adjustments from different experiments accordingly until achieving the best visual and sitting experience.





Fashionable , Innovative High Elastic , Skin-friendly

After a variety of comparisons and tests, we selected a skin-friendly and breathable mesh. This mesh is the latest development from WINTEX which is a world-renowned textile supplier. With DuPont's thermoplastic polyethylene stretch which provides excellent pressure distribution. Compared with other mesh products, its wear resistance has passed more than 100,000 times. It's durable with high elasticity as well as great comfort.

Mesh



FB2302
Grey



FB2301
Black



FB2502
Grey



FB2501
Black

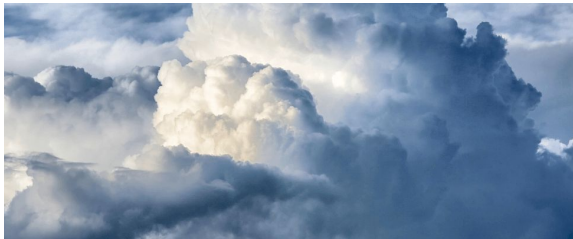
Fabri



FC2202
Grey



FC2201
Black



Enjoy The Soft Seating Experience

— Upholstered seat

The seat is designed with higher front edge in arc shape ,plus 80mm thick molded foam which help to minimize the pressure distribution of user's legs to provide extreme comfortable seating with perfect support.

Passed California fire retardant standard.





Stay Comfortable At All Times.

— Mesh seat

Orca mesh seat adopted the imported mesh with good ventilation and support to reduce the heat and moisture accumulation from long hours seating to provide the users comfort at all times.

The seat is ergonomic designed that helps legs blood circulation from long hours seating . With the seat sliding function , it can be easily adjusted to fit various users.

Features & Innovations



Seat Depth Adjustment
Seat sliding stroke 80mm



Seat Depth Adjustment
Pull the button under the seat for seat depth adjustment



Flexible Lumbar Support
Premium molded foam of lumbar support for the best support of user's lower back



Backrest Height Adjustment
Pull it up with 2 hands slowly (80mm))



Synchro Reclining
Big angle of 145° for total relaxation



3D Armrests
Height/width/depth



Seat Height Adjustment
The lever under the seat for height adjustment (465mm-555mm)



Synchro Tilting
Lock the chair tilting position with turning the knob in any direction



Reclining Tension Adjustment
Lever for tilting tension adjustment



Flexible Solutions



J-bar



Black powder coated J-bar



Aluminum polished J-bar

Base



BJ350-2 Plastic Base



BJ-N350-B Plastic Base



BJ-AL350-2 Aluminum Base

Mechanism



Synchro Mechanism
22 °synchro tilting with 4
locking positions



Synchro Mechanism
22 °synchro tilting with 3
locking positions



Simple Mechanism
22 °synchro tilting with 3
locking positions

Flexible solutions



J-bar



Black powder coated J-bar



Aluminum polished J-bar

Base



BJ350-2 Plastic Base



BJ-N350-B Plastic Base



BJ-AL350-2 Aluminum Base

Mechanism



Synchro Mechanism

22 °synchro tilting with 4 locking positions,with seat sliding

Product Series



D239SH



D239SH



D239JM

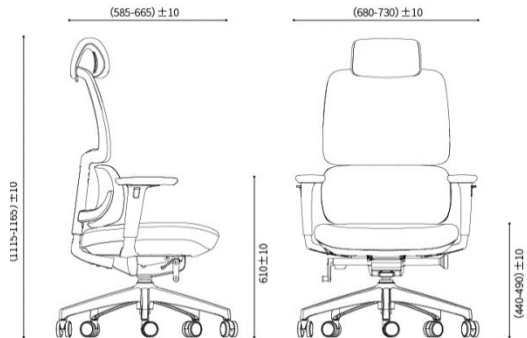


D239SM



D239SM

Size & Packing



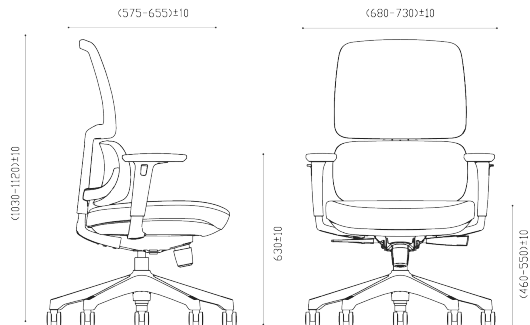
D239SH

Carton Size: 35"L*14-1/4"W*26"H CBM:0.21

Packing: 1pcs per carton

N.W.: 21.5KG G.W.: 24.6KG

20GP: 134PCS /40GP: 281PCS /40HQ: 316PCS



D239JM

Carton Size: 32-3/4"L*14-1/4"W*26"H CBM:0.20

Packing: 1pcs per carton

N.W.: 20.4KG G.W.: 23.9KG

20GP: 148PCS /40GP: 309PCS /40HQ: 352PCS

officio[®]


Giving you more for less